

DE-GLAZING AND GLAZING INSTRUCTIONS

READ SPECIFIC INSTALLATION INSTRUCTIONS COMPLETELY BEFORE STARTING ANY INSTALLATION

Failure to install and maintain our product according to these instructions will VOID any warranty, written or implied. The installer is responsible for consulting the contractor, structural engineer, architect, or consumer, for proper installation according to local codes and/or ordinances.

WARNING

Every assembly and installation is different from Parrett Windows & Doors. Parrett strongly recommends consultation with a Parrett supplier or an experienced contractor, architect, or structural engineer prior to the assembly and installation of any Parrett product. **PARRETT HAS NO RESPONSIBILITY IN REGARD TO POST-MANUFACTURED ASSEMBLY AND INSTALLATION OF PARRETT PRODUCTS.**

CAUTION

Every glass removal application can be different due to the size, weight, location, and elements including weather. It is essential to have minimally one person on the exterior of the glass and one person on the interior glass as the glass is removed and installed. As the glass increases in size, additional assistance (laborer) is required. It is NOT the responsibility of Parrett to determine the number of de-glazers and installers needed. It is the de-glazers and installers responsibility to determine proper tools and amount of manual labor necessary. Glass is heavy per square foot and subject to breakage. Extra caution should be used to prevent injury.

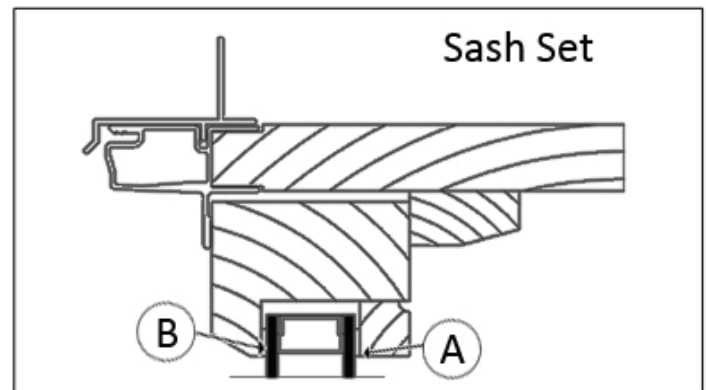
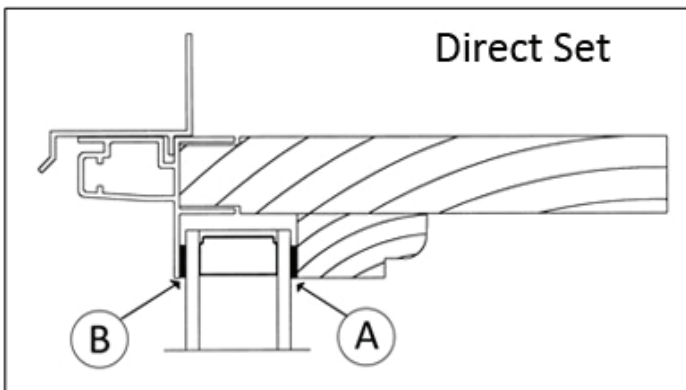
ITEMS REQUIRED BY INSTALLER

- Safety Glasses
- Utility Knife
- Glass Suction Cups
- Hammer
- Finish Nails
- Gloves
- Putty Knife
- Caulk Gun
- UV Resistant Exterior Sealant
- Setting Blocks
- Foam Tape (for interior bead)
- Fasteners (for interior bead)



INSTRUCTIONS

To remove the glass, first remove the inside stops. There is a strip of foam adhesive tape that is between the stops and the glass that has to be cut. (See A on the drawing) Cutting the tape is done by simply sliding a thin knife (ie. utility knife) between the stop and the glass. Next remove the stops from the sash/frame. Go to the exterior of the window and cut the silicone between the exterior cladding (or stops) and the glass. (See B on the drawing) This is done with a thin putty knife or cutter knife. Once this is done the glass should be loose and able to be removed. Extreme caution should be taken when cutting exterior silicone sealant. When glass is separated from sealant it is essential to maintain a firm hold of glass. Glass suction cups applied to glass by an experienced glazing contractor is recommended. Attempts to remove glass by an inexperienced person could result in serious injury to yourself or others. Avoid removing glass when wind exists.



Once the glass is removed, clean the silicone that is left behind on the exterior cladding or stops. Once clean, apply a generous bead of UV resistant exterior sealant on the exterior cladding or stops. (See B on the drawing) Next, closely inspect the new glass for cracks, chips or unacceptable blemishes before installing the glass. If glass is acceptable, then install the glass. The glass should be spaced evenly around the frame with soft rubber spacers. At the base or sill, hard spacers **MUST** be installed to absorb the weight of the glass and take pressure off the edge of the glass. Apply new double sided adhesive tape to debris free interior stops. Remove protective vinyl strip and reapply wood stops to glass. Nail the inside stops directly to the jamb/sash to fully secure the glass. Finally remove any extra sealant and clean the glass.