

## **SWINGING DOOR - FOR FACTORY ASSEMBLED JAMBS WITH APPLIED SILL**

### **READ SPECIFIC INSTALLATION INSTRUCTIONS COMPLETELY BEFORE STARTING ANY INSTALLATION**

**Failure to install and maintain our product according to these instructions will VOID any warranty, written or implied. The installer is responsible for consulting the contractor, structural engineer, architect, or consumer, for proper installation according to local codes and/or ordinances.**

**WARNING** Every assembly and installation is different from Parrett Windows & Doors. Parrett strongly recommends consultation with a Parrett supplier or an experienced contractor, architect, or structural engineer prior to the assembly and installation of any Parrett product. **PARRETT HAS NO RESPONSIBILITY IN REGARD TO POST-MANUFACTURED ASSEMBLY AND INSTALLATION OF PARRETT PRODUCTS.**

**CAUTION** Factory applied exterior Brickmould and casing **DO NOT** take the place of standard window flashing. Each unit must be properly flashed and sealed with silicone for protection against water and air infiltration.

### **WARNING TO INSTALLER**

- Using ladders and/or scaffolding and working at elevated levels can be very dangerous. Follow the manufacturer's instructions for all equipment used in order for safe operation. Please use extreme caution when working around window or door openings. Falling from opening may result in injury or death.
- Improper use of hand/power tools could result in injury and/or product damage. Again, follow manufacturer's instructions for safe operation of equipment. ALWAYS WEAR SAFETY GLASSES.
- Windows and doors can be very heavy and improper lifting techniques can result in serious injury. Use safe lifting techniques and a reasonable number of people with enough strength to lift, carry, and install any Parrett window and door products to avoid injury and/or damage to any product.

### **ITEMS REQUIRED BY INSTALLER**

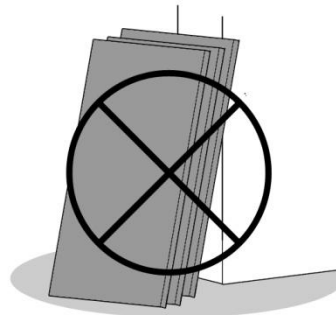
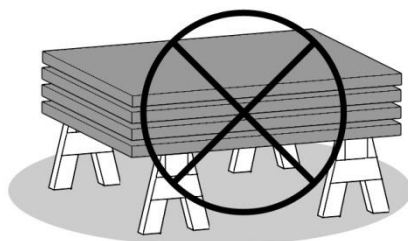
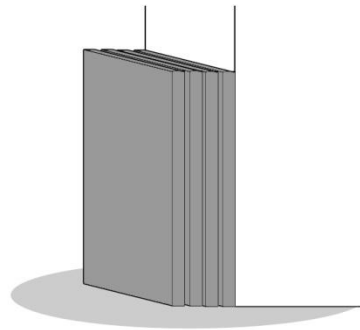
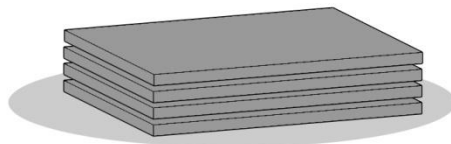
- Safety Glasses
- Tape Measure
- Level
- Hammer
- Putty Knife
- Carpenter's Square
- Caulk Gun
- Phillips Screwdriver
- Power Drill
- 3/16" Drill Bit
- Foam Backer Rod
- UV Resistant Exterior Sealant
- Shims
- 9" Adhesive Backed Rubber Membrane

## 1. Jamb Preparation

- Remove any diagonal bracing or other packaging from unit exterior only. Place unit exterior side down on a clean flat work surface.
- Remove all remaining bracing and packing from unit making sure to not damage the unit.
- Remove any loose items. Extension jamb will be factory applied unless ordered loose.
- Identifying the exterior of the jamb can vary depending on your configuration. Standard units will have a sloping edge on only one side of the sill. This side is your exterior. On designs without the sloping sill other identifiers should be used such as; exterior color/ finish, operation direction/ configuration, metal cladding, or wood species when species differs from interior to exterior.

## 2. Panel Storage

- Due to the size of many of some units, panels are sometimes shipped separately from the frame. Panels must be stored laying **fully supported** on a clean surface, or standing **completely vertical**.

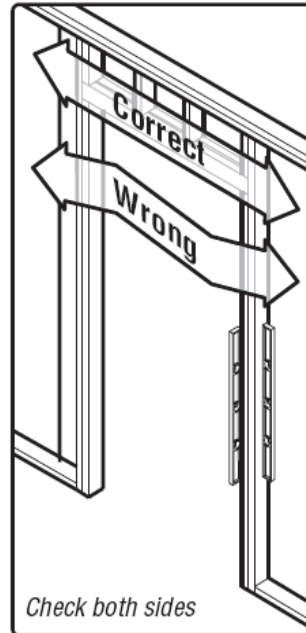


**WARNING- DO NOT** store panels in a standing/ leaning position, or laying flat on saw bucks or blocks of any fashion. Improper storage can diminish the performance and life of the units.

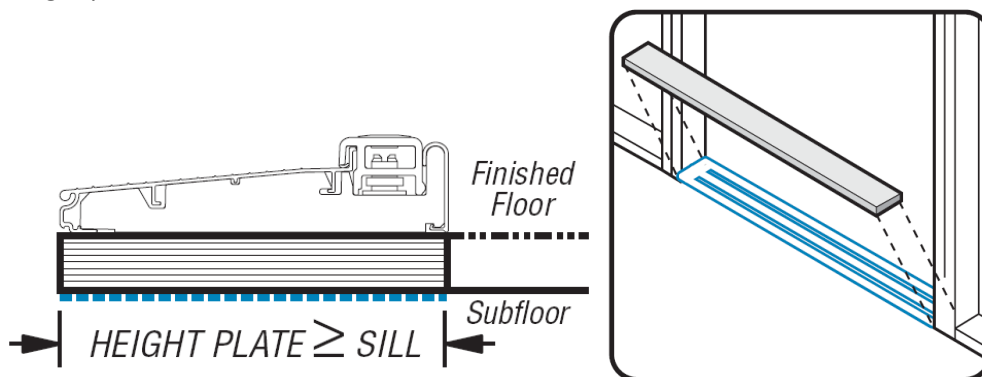
- Panels supplied unfinished should have the finish applied as soon as possible, and within 24 hours of installation into jamb frame.
- Panels should be placed in an area completely protected from the elements or other damage until needed.
- DO NOT** install hardware or handles on panels at this point. Damage can occur to these parts during installation or storage.

### 3. Opening Preparation

- The side and head rough framing should be at least as wide as the supplied jamb frame.
- A proper rough opening should provide ½" of unobstructed clearance on both sides and top of the unit.
- Check for opening plumb and level.



- Be sure sill plate is clean, smooth, and dry.
- Consideration should be made at this point as to the final intended height of the sill relative to the finished floor surface. Removal of material or further shimming may be needed to achieve your desired height.
- If using a plate to adjust the sill height, be sure height plate is as wide and long as jamb. Also be sure to seal under height plate.



- A completed sill opening will be a single smooth, flat, level plane on which the jamb will rest.

## 4. Jamb Installation

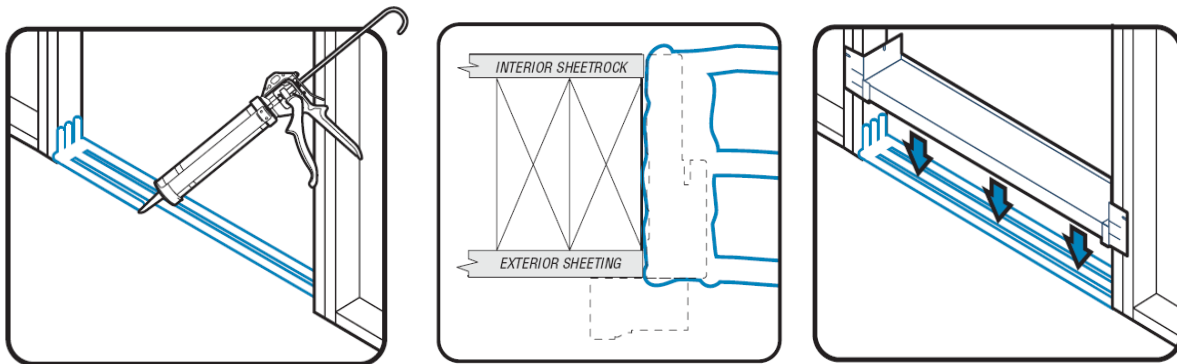
**WARNING-** UV resistant exterior sealant must be used and be compatible with all materials it comes in contact with. Follow sealant manufacturer's instructions regarding surface cleaning, preparation, application, and temperature requirements when applying sealant. Failure to do so may result in water infiltration, property or product damage.

Metal fasteners and other hardware components may corrode when exposed to preservative treated or fire retardant lumber. Failure to use appropriate materials for installation may cause component failure resulting in injury, property or product damage.

**DO NOT** install wood products directly in contact with masonry or concrete openings. Apply a proper finish or barrier (i.e. tar paper or ice/ water membrane) between all wood and masonry/ concrete surfaces. Failure to do so may result in water infiltration, property or product damage.

### SILL

- Apply the adhesive backed rubber membrane to the sill opening allowing approximately 4" to wrap around and down onto the exterior sheeting to prevent water infiltration. The rubber membrane should also extend approximately 4" up the side of the opening and wrap to the exterior just as the bottom.
- \*If a Sill Pan is desired, one can be fabricated from sheet metal and installed as necessary.
- Apply 3 heavy beads of caulk (1/2" is sufficient) along the length of the sill opening. With one bead near the interior edge, one bead on the exterior edge, and one bead down the center.
- At the ends of the sill opening, apply a patch of caulk the entire depth of the sill at least wide enough to cover the ends of the side jamb.



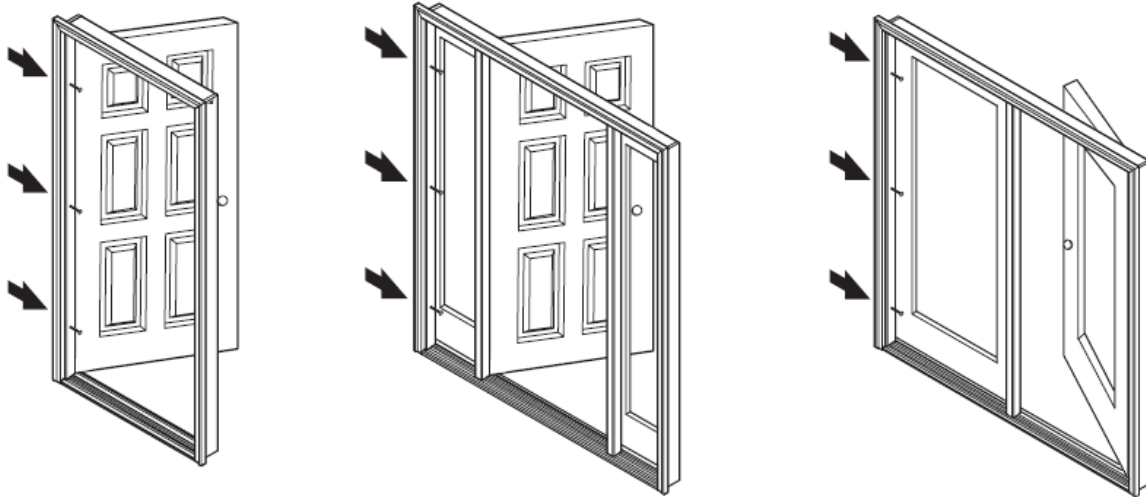
- Lift jamb into opening. Center the unit in opening side to side. Secure temporarily with clamps to prevent from falling out of opening.
- Double check sill level and flatness.
- Some units with extremely deep jambs may require fastening through the sill to prevent warping or twisting. This is especially necessary on deep wood sills. Fasteners can be hidden under removable riser pads where applicable to design. Any exposed fasteners should be sufficiently sealed to prevent water penetration.

### SIDE JAMB

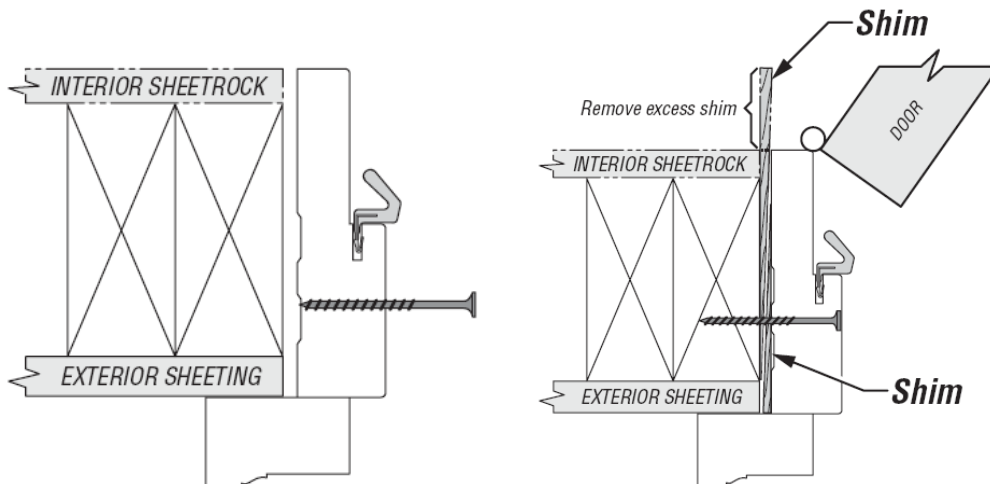
- Starting on the hinge side, plumb and shim the side jamb. Plumb should be checked both side to side and front to back on the side jamb.



- For sidelite units, install sidelite side with hinges first.
- For french units, install inactive/ passive panel side first.

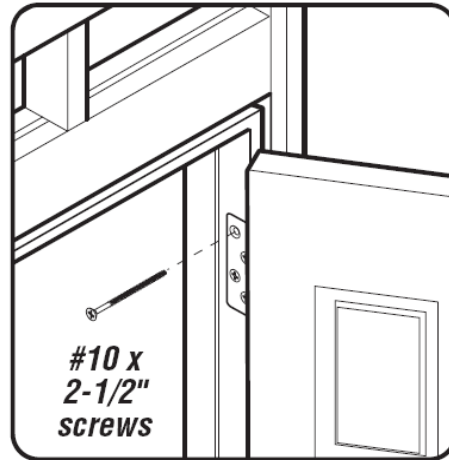


- All shims should be positioned so fasteners will drive through and hold shims in place.
- DO NOT** fully secure the side jamb until the unit is checked for square and plumb. Fasteners can be prepositioned in the jamb for easier location of shims. Predrilling jambs with a 3/16" drill will aid in ease of installation.
- Place all fasteners in thicker portion of jamb.



**WARNING- DO NOT** fasten the jamb through any factory applied finish that will have contact with the elements. Installing fasteners through a factory finish will **VOID** any warranty written or implied on the finish and life of the unit. Any factory pre-drilled holes for installation should be properly sealed during installation.

- Final fastening of hinge sided requires fastening through open holes in hinge plate. **REMEMBER** to place shims behind all hinges with hinge screws utilized to hold the shims in place.



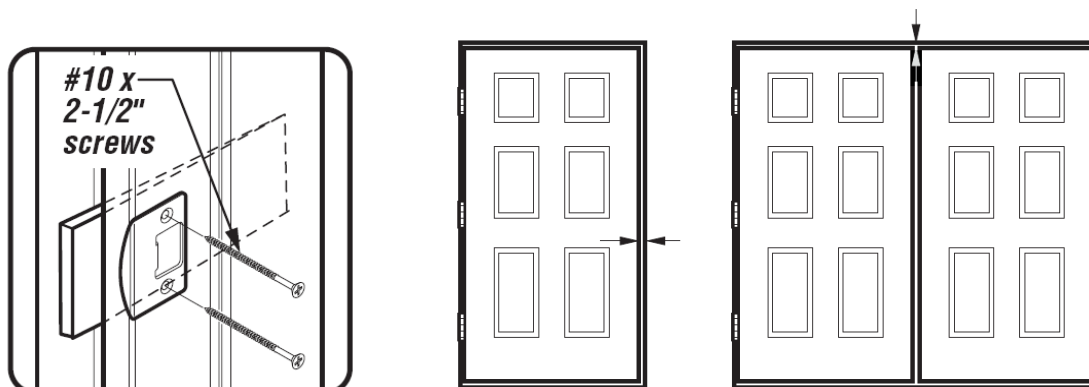
- Shim and plumb the non-hinge side next in the same manner. Be sure that shims are held in place by fasteners.
- The side margin between the jamb and door panel can be checked by closing the door panel. A sufficient margin is approximately 1/8".

**HEAD**

- Use a level and/ or string line to check the level and straightness of the head jamb. **DO NOT** allow for any deflection greater than 1/8" in any direction; forward, back, up, or down. Deflection greater than 1/8" will result in poor operation of the unit. Closing the door panel can assist in checking the margin and straightness of the head jamb. Approximately 1/8" margin is sufficient.
- Shim and fasten as necessary to maintain a proper margin spacing to door panel.

**NOTE-** All units have panels factory pre-fitted and adjusted. The hinge hardware provides for some adjustment in the field or during installation. If major adjustment seems to be needed, double check installed jambs for plumb, level, flat, and straightness. Extra shimming may be needed to keep jambs within tolerance. If after verification of these key points you still find the unit operation unsatisfactory please call for assistance at **(800) 541-9527** from 8:00 a.m. to 5:00 p.m. Central time or e-mail [info@parrettwindows.com](mailto:info@parrettwindows.com)

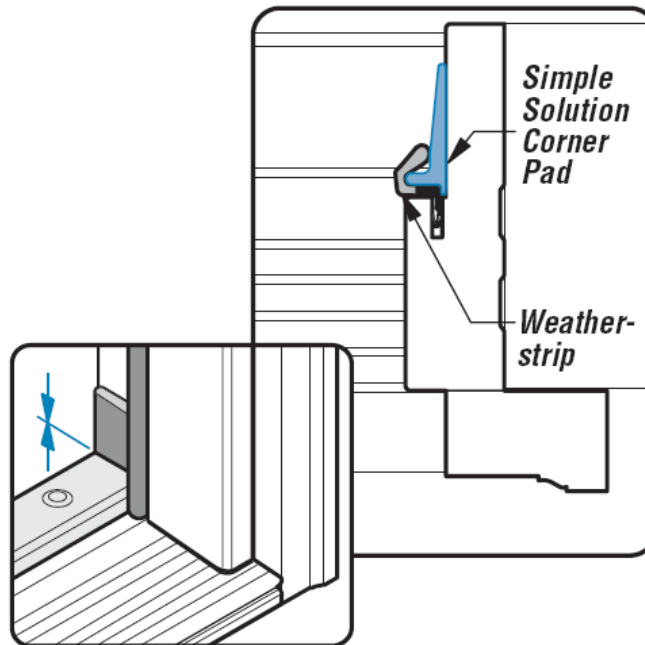
- Shim behind all strike plates and shootbolt plates. Replace fasteners with longer screws as needed to hold shims in place.



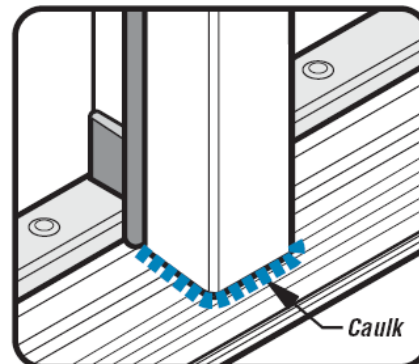
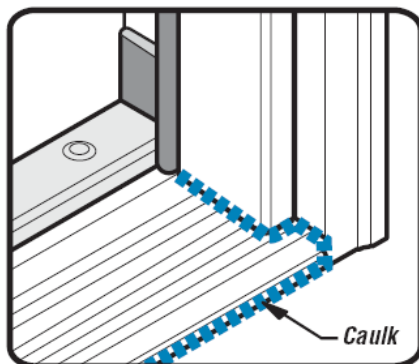
## 5. Finishing Installation

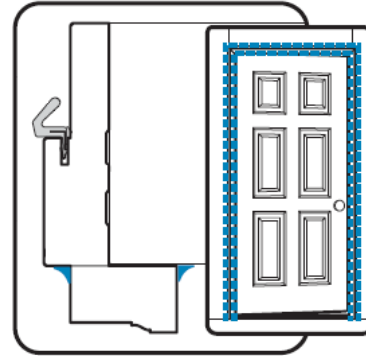
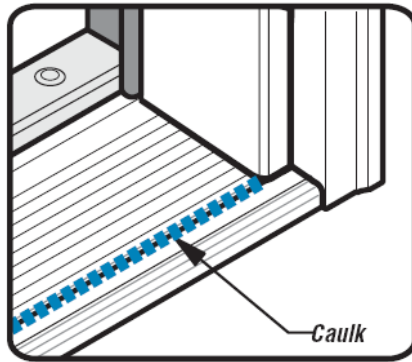
### SEALING- SIDES AND HEAD

- Seal the voids between the jamb and opening on the head and sides by inserting backer rod or other insulation. **DO NOT** use expanding foam.
- On the exterior side, cover the void against the backer with silicone to seal the jamb to the opening.
- Place corner pads on bottom of side jamb. Make sure pads are behind the side seal and touching the sill.



- Caulk around seams of exterior casing where casing meets the jamb and where casing meets the exterior sheeting.
- Caulk bottom seams at sill ends, around mull posts on sidelite units, and any seams along the sill, sub-sill, or sill nose.





**WARNING-** UV resistant exterior sealant must be used and be compatible with all materials it comes in contact with. Follow sealant manufacturer's instructions regarding surface cleaning, preparation, application, and temperature requirements when applying sealant. Failure to do so may result in water infiltration, property or product damage.

•Refer to **Parrett's Care and Maintenance Instructions** for all cleaning and maintenance. For finishing instructions refer to **Parrett's Homeowner's Manual** at [www.parrettwindows.com](http://www.parrettwindows.com) or contact customer service at **(800) 541-9527**.

Parrett will not under any circumstances be responsible for installation, repainting, refinishing, or other similar activities necessary to completing any replacement. It is the customer's responsibility for installation, finishing, cleaning, maintenance, re-painting, refinishing, or other similar activities necessary to maintain the performance of each product.

## Troubleshooting

**NOTE-** All units have panels factory pre-fitted and adjusted. The hinge hardware provides for some adjustment in the field or during installation. If major adjustment seems to be needed, double check installed jambs for plumb, level, flat, and straightness. Extra shimming may be needed to keep jambs within tolerance.

If after verification of these key points you still find the unit operation unsatisfactory please call for assistance at **(800) 541-9527** from 8:00 a.m. to 5:00 p.m. Central time or e-mail

[info@parrettwindows.com](mailto:info@parrettwindows.com)